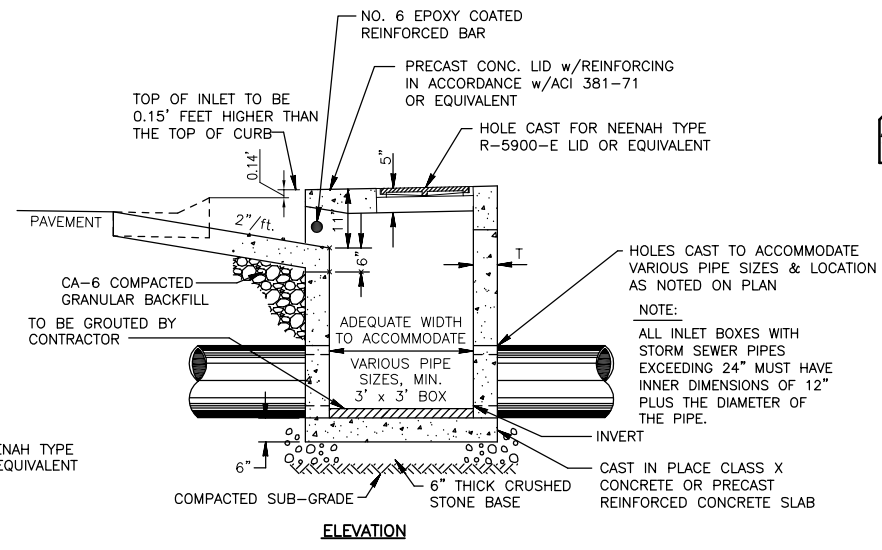
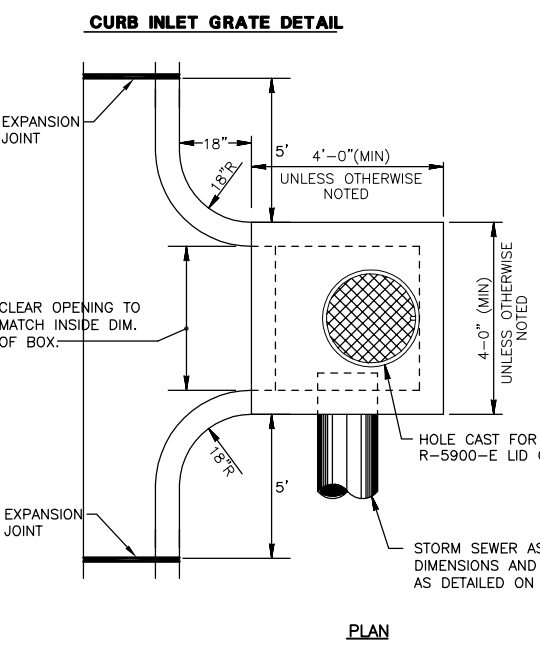
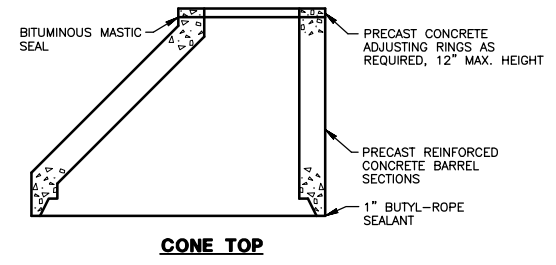
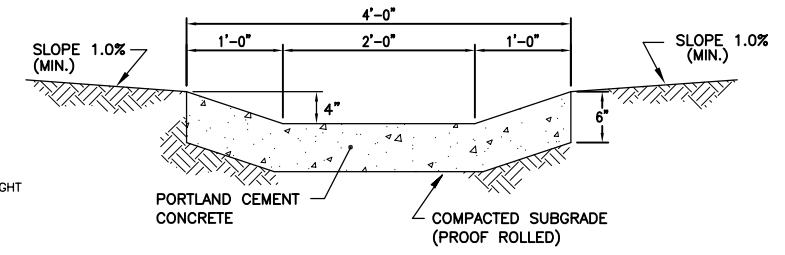
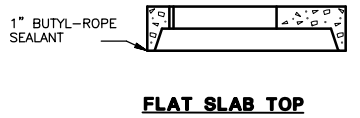


TYPE A INLET DETAIL
NOTE: HOLES CAST TO ACCOMMODATE VARIOUS PIPE SIZES & LOCATION AS NOTED ON PLAN

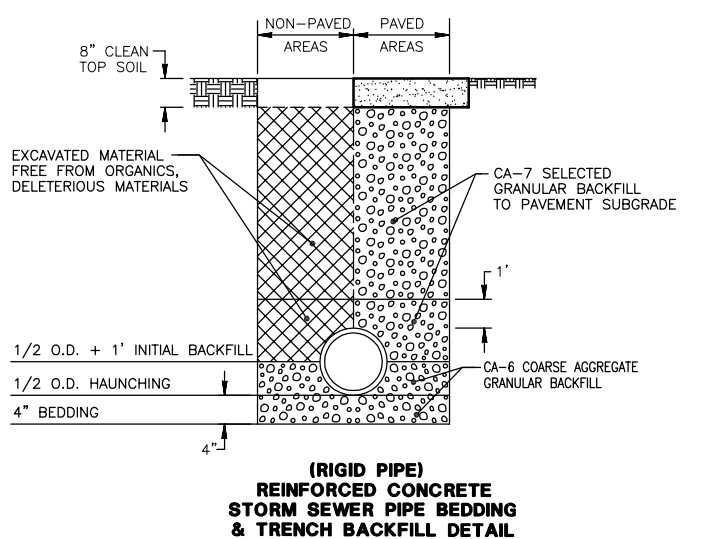
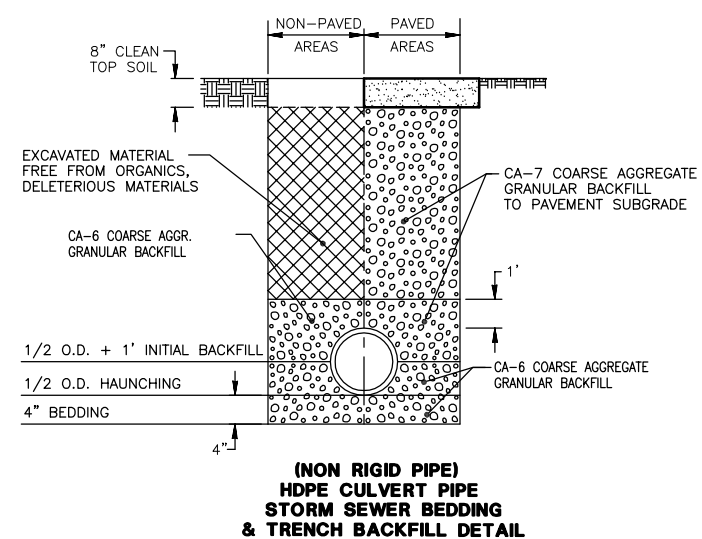
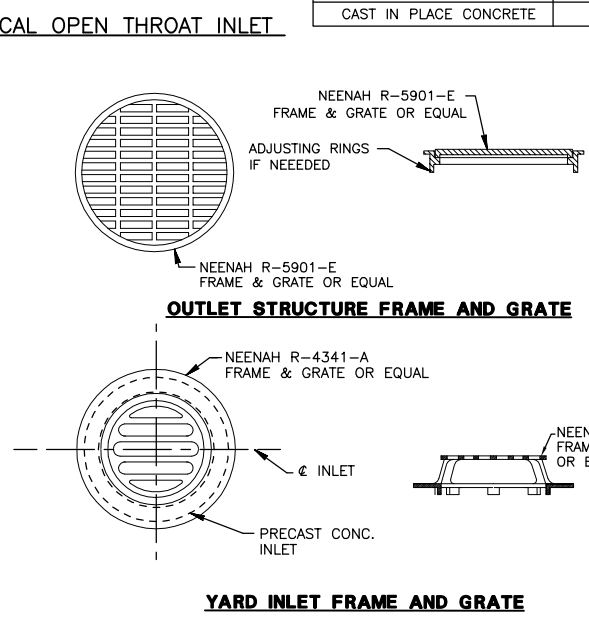
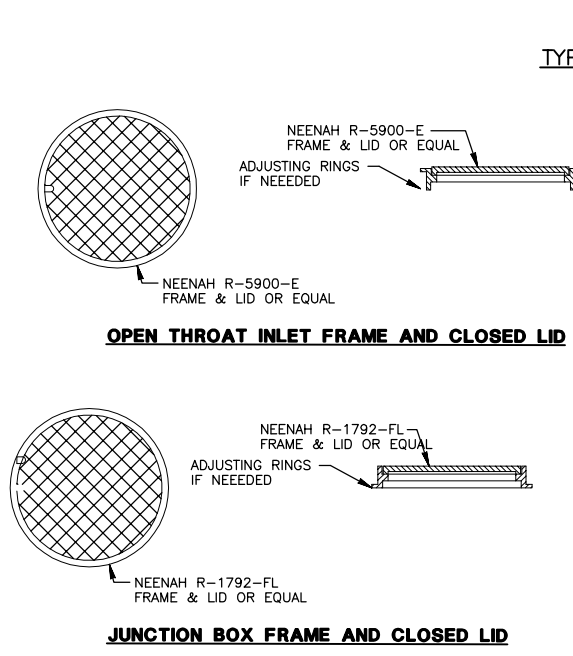
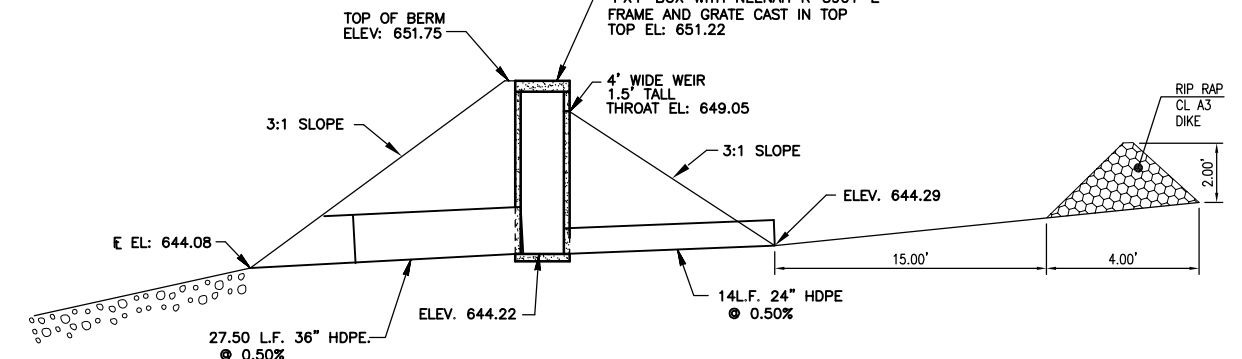
TYPE C INLET DETAIL

TYPE B INLET DETAIL



SPECIFICATIONS: PRE-CAST INLET SHALL CONFORM TO ASTM C-478

ALTERNATE MATERIALS FOR INLET WALLS	T (MIN.)
CONCRETE MASONRY	5"
BRICK MASONRY	8"
PRE-CAST	6"
CAST IN PLACE CONCRETE	6"



THOUVENOT, WADE & MOERCHEN, INC.
ENGINEERS • SURVEYORS • PLANNERS



CORPORATE OFFICE
4940 OLD COLLINSVILLE RD.
SWANSEA, ILLINOIS 62226
TEL (618) 624-4488
FAX (618) 624-6688
corp@twm-inc.com

WATERLOO OFFICE
113 SOUTH MAIN STREET
WATERLOO, ILLINOIS 62298
TEL (618) 939-5050
FAX (618) 939-3938
waterloo@twm-inc.com

ST. LOUIS OFFICE
1001 CRAIG ROAD, SUITE 260
ST. LOUIS, MISSOURI 63146
TEL (314) 236-5052
FAX (314) 872-2194
stlouis@twm-inc.com

PROFESSIONAL REGISTRATIONS LICENSE NO.
ILLINOIS PROFESSIONAL DESIGN FIRM 184-001220
PROFESSIONAL ENGINEERING CORP. 62-035370
PROFESSIONAL STRUCTURAL ENGR. CORP. 81-005202
ILLINOIS PROF. LAND SURVEYING CORP. 048-000029
MISSOURI PROFESSIONAL ENGR. CORP. NC 001528
MISSOURI LAND SURVEYING CORP. NC 000346

SEAL

Signature: _____
Signature Date: _____
Expiration Date: _____

STATEMENT OF RESPONSIBILITY
I hereby confirm that the document herein to be authenticated by my seal is restricted to this sheet, and I hereby disclaim any responsibility for all other drawings, specifications, estimates, reports or other documents or instruments relating to or intended to be utilized for any other part of the architectural, engineering or survey project.

STORM SEWER DETAILS

OAK VALLEY ESTATES

CITY OF WATERLOO

MONROE COUNTY, ILLINOIS

TITLE: _____
PROJECT: _____

CREATED ON: 8/23/2007

REV.	DATE	DESCRIPTION
1	10/16/07	REVISIONS PER JOINT PLAT MEETING ON 9/26/07

DRAWN BY: ALH SHEET NO. 21

DESIGNED BY: _____

CHECKED BY: _____

APPROVED BY: _____

PROJECT NUMBER: D33060065 OF 23 SHEETS

ISSUED FOR REVIEW RECORD DRAWING

G:\SJKP\DLJ\060065.dwg 060065-DTL-02.dwg 8/23/2007 2:46:42 PM CDT